

2.875×2.125×3.253(inch)

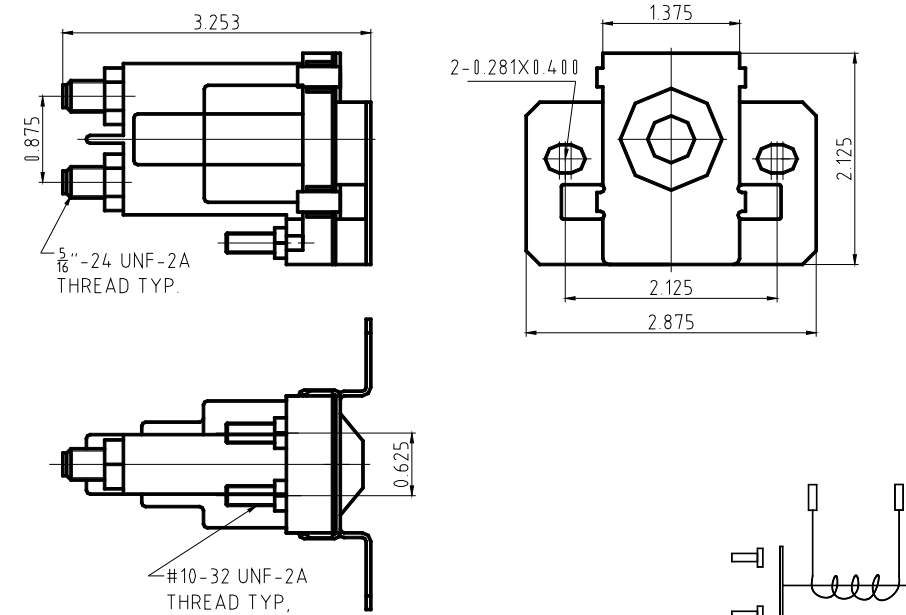
NJ120

GENERAL DATA

Dielectric Strength	500V	
Temperature Range	Intermittent	-20° F~-150° F (-28.9°C~65.6°C)
	Continuous	-20° F~-120° F (-28.9°C~48.9°C)
Mechanical Life (no load)	1×10 ⁵	
Mounting Position	Recommended mounting is coil terminals up or horizontal	
Duty Cycle	Continuous; Intermittent 30s "on" maximum and minimum 6 minutes "off"	
Hardware Torque Specification	Contact Terminal	44-55 inch-lbs
	Coil Terminal	12-18 inch
Mass	170.5g	

Dimensions

Inch



Dimensions and Mounting

Wiring diagram

APPLICATION NOTES:

- 1) Not all number combinations are available. Please contact your Sales Representative for available part numbers.
- 2) Solenoids applied in battery charging circuits should be protected from higher than rated voltage during charging. The service life may be affected by this condition and the solenoid may or may not operate the circuit as intended.
- 3) Circuits should be designed to provide safe operation should the solenoid fail in either the open or closed position.
- 4) A back-up wrench must be used to hold the bottom nut stationary during installation.

Features

- Water resistant.
- Capable of handling low and high current requirements.
- Versatile mounting and termination.

Ordering Information

NJ120 **A** **1** **DC6V** **1** **1** **1**
 1 2 3 4 5 6 7

1 Part number: NJ120	4 Coil Voltage: 6, 12, 14, 15, 24, 36, 48
2 Contact arrangement: A: 1A (SPNO);	5 Contact Material and termination (55 in-lb torque spec.):
3 Coil termination (15 in-lb torque spec.):	1: AgCdO w/5/16" -24 terminal (0.388 min. Length)
1: Isolated w/#10-32 terminal (0.22 min. Length);	3: Cu w/5/16" -24 terminal (0.388 min. Length)
2: Grounded w/#10-32 terminal (0.220 min. Length);	4: Cu w/1/4" -20 terminal
3: Isolated w/1/4" Q.C terminal	5: AgCdO w/5/16" -24 terminal (0.495 min. Length)
4: Grounded w/1/4" Q.C terminal;	6 Mounting Bracket: 1: Standard ; 2: "L" shaped bracket
6: Grounded w/#8-32 tapered terminal	7 Factory Assigned Specials (where undefined, contact factory):
7: Grounded w/#10-32 terminal (0.451 min. length)	1: without hardware
8: Grounded w/#10-32 terminal (0.451 min. Length)	2: Extra hardware loosely mounted to solenoid
	5: Mounting bracket zinc plated and dichromate dip
	8: No hardware, mounting bracket as -5 option

Contact Data

- Contact Arrangement: 1A (SPNO)
- Contact Material: silver alloy, Cu
- Termination: 5/16" -24 UNF-2A thread or 1/4" -20 UNC-2A thread
- Contact rating

Volts DC (V)	Conti. (A)	Inrush (A)	Elec. Life	Contact Material
12	80	400	1×10 ⁴	Copper
12	100	400	5×10 ⁴	silver alloy
36	100	400	2.5×10 ⁴	silver alloy

Coil parameter

- Termination: #8-32 UNC-2A, #10-32 UNF-2A thread or 1/4" quick-connect.
- Connections:
 1. Coil isolated (two terminals);
 2. One coil lead grounded to bracket (one terminal).
- Coil data:

Coil voltage (VDC)		Coil Resistance (Ω)		Operate Voltage (VDC)		Coil power (W)	
Rated	Max.	Intermittent	Continuous	Intermittent (67% of rated voltage)	Continuous (75% of rated voltage)	Intermittent	Continuous
6	6.6	*	4.0	4.02	4.5	14.4	8.1
12	13.2	6.0	16.0	8.04	9		
14	15.4	*	26.0	9.38	10.5		
15	16.5	9.4	23.0	10.05	11.25		
24	26.4	24.0	64.0	16.08	18		
36	39.6	54.0	160.0	24.12	27		
48	52.8	*	256.0	32.16	36		

*Special coils available upon request.